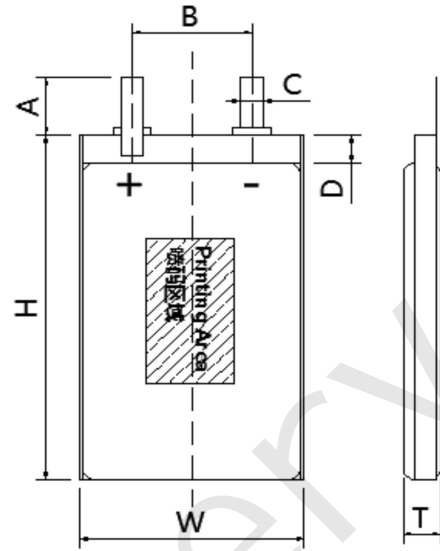




Custom Battery Manufacturer

Lithium-ion Polymer Battery



Model: UFX 014750 150mAh 3.7V

Drawing Of Battery Pack

Electrical Characteristic

- Nominal Capacity (0.5C Cont., 2.75V cut-off) 150mAh
- Nominal Voltage 3.7 V
- Resistance $\leq 200 \text{ m}\Omega$
- Cycle Life@0.5C/0.5C@25 ± 5 °C >300 times
- Self Discharge Rate $\leq 3\%$ per month@25°C

Charging&Discharge Characteristic

- Standard Charge Current 30mA
- Max. Continuous Charge Current 150mA
- Charge Cut-off Voltage 4.2 V
- Standard Discharge Current 30mA
- Max. Continuous Discharge Current 150 mA
- Discharge Cut-off Voltage 2.75 V

Mechanical Characteristic

- Typical Weight 2 g
- Dimensions T1×W47×H50 mm
- Wire NO
- Connector

Temperature Characteristic

- Discharge Temperature -20~60 °C
- Charge Temperature 0~45 °C
- Recommend Storage Temperature 15~35 °C

Typical Applications

- Beauty Devices
- Healthcare Devices
- Smart Device
- Digital Productions
- Wearable Devices
- Power Tools

PCM Specification

- Over-charge Protection Voltage No
- Over-discharge Protection Voltage No
- Over-current Protection for Discharge No
- Short Circuit Protection No
- NTC No

Certificates



Custom Battery Manufacturer

Guangdong Ufine New Energy Co.,Ltd

Email: sales@ufinebattery.com

<https://www.ufinebattery.com/>

Building 41,Xinhang Road, Jiangmen,China



Custom Battery Manufacturer

Typical Performance

Curve Of Different Discharge Rate



Discharge Curve At Different Temperature



Self Discharge Curve At Different Temperature



Cycle Life Curve



Charging Characteristic



Custom Battery Manufacturer

Guangdong Ufine New Energy Co.,Ltd

Email: sales@ufinebattery.com

<https://www.ufinebattery.com/>

Building 41, Xinhang Road, Jiangmen, China



Custom Battery Manufacturer

Warning and Cautions

Warning

Danger warning(it should be described in manual or instruction for users, indicated especially) to prevent the possibility of the battery from leaking, heating, explosion. Please observe the following precautions:

- Don't immerse the battery in water and seawater. Please put it in cool and dry environment if no using.
- Do not discard or leave the battery near a heat source as fire or heater.
- Being charged, using the battery charger specifically for that purpose.
- Don't reverse the positive and negative terminals.
- Don't connect the battery to an electrical outlet directly.
- Don't connect the positive and negative terminal directly with metal objects such as wire. Short terminals of battery is strictly prohibited, it may damage battery.
- Do not transport and store the battery together with metal objects such as necklaces, hairpins.
- Do not strike, throw or trample the battery.
- Do not directly solder the battery and pierce the battery with a nail or other sharp object.
- Prohibition of use of damaged cells.
- Don't fall, hit, bend battery body.
- Battery pack designing and packing Prohibition injury batteries.
- Never disassemble the cells.
- Keep the battery away from babies.

Cautions

- Do not use or leave the battery at very high temperature conditions(for example, strong direct sunlight or a vehicle in extremely hot conditions). Otherwise, it can overheat or fire or its performance will be degenerated and its service life will be decreased.
- Do not use it in a location where is electrostatic and magnetic greatly, otherwise, the safety devices may be damaged, causing hidden trouble of safety.
- If the battery leaks, and the electrolyte get into the eyes. Do not wipe eyes, instead, rinse the eyes with clean water, and immediately seek medical attention. Otherwise, eyes injury can result.
- If the battery gives off an odor, generates heat, becomes discolored or deformed, or in any way appear abnormal during use, recharging or storage, immediately remove it from the device or battery charger and stop using it.
- In case the battery terminals are dirt, clean the terminals with a dry cloth before use. Otherwise power failure or charge failure may occur due to the poor connection with the instrument.



Custom Battery Manufacturer

Guangdong Ufine New Energy Co.,Ltd

Email: sales@ufinebattery.com

<https://www.ufinebattery.com/>

Building 41,Xinhang Road, Jiangmen,China